

Planter Liner Flashing Details

Concrete Flashing Detail 9

General Description:

It is essential to prevent both irrigation and rain water from getting behind the liner walls where it can migrate and leak into unwanted areas. The key to sealing the liner is through the selection of an appropriate rim design and flashing detail. See the "Liner Types" section of our catalog or web site for rim design options: rimless, simple rim and wrap-around.

This suggested flashing detail is provided for your reference only. Select your flashing detail in consultation with your contractor or architect.

When requested, Old Town Fiberglass will fasten the liner to the walls of the planter with appropriate fasteners and bond the liner to the planter walls by laminating with resin and fiberglass tape. Metal flashing or caps and other sealants are not included in our installation services and are by others.

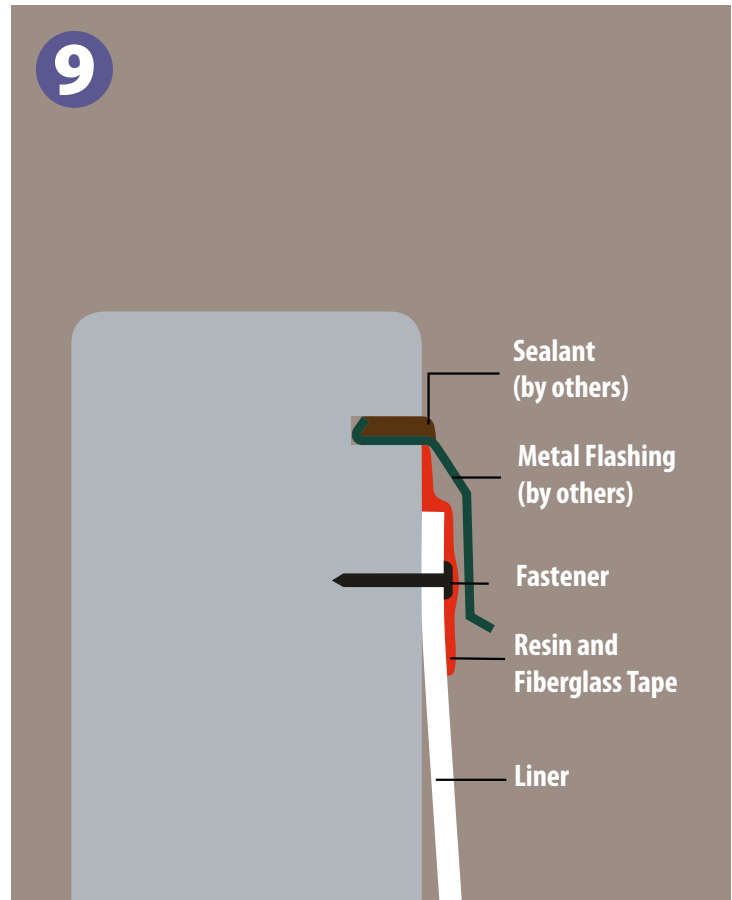


Illustration not to scale

Old Town Fiberglass, Inc.

456 South Montgomery Way

Orange, CA 92868-4015

Tel: 714.633.3732

Fax: 714.633.3917

E-mail: Info@OldTownFiberglass.com

On-line: OldTownFiberglass.com