

Freestanding Planters

Ponto

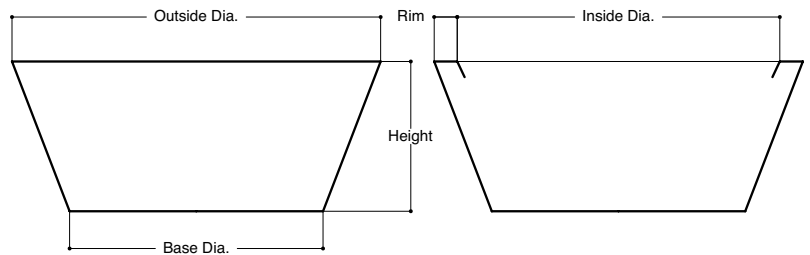
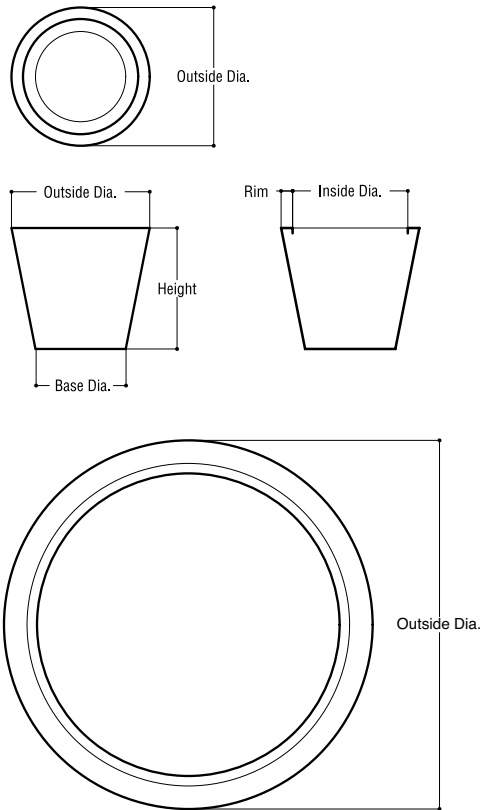


Illustration not to scale

Note:

Please contact us if you don't see the shape or size of planter you need—we welcome custom orders. For planter irrigation and custom internal modifications see page 39. A graffiti-resistant coating is available with upcharge. All orders are subject to the Terms and Conditions outlined in this Price List. Specifications are available on our web site.

Old Town Fiberglass, Inc.

456 South Montgomery Way
Orange, CA 92868-4015

Tel: 714.633.3732

Fax: 714.633.3917

E-mail: Info@OldTownFiberglass.com

On-line: OldTownFiberglass.com

Model No.	Outside Dia.	Inside Dia.	Base Dia.	Height	Rim	Weight
PCL2432	24"	20"	14"	32"	2"	3
PCL3036	30"	24"	20"	36"	3"	45
PCL3632	36"	30"	23-1/2"	31-1/2"	3"	4
PCL3939	39"	29"	27"	39"	5"	67
PCL9639	96"	84"	66"	39"	6"	177