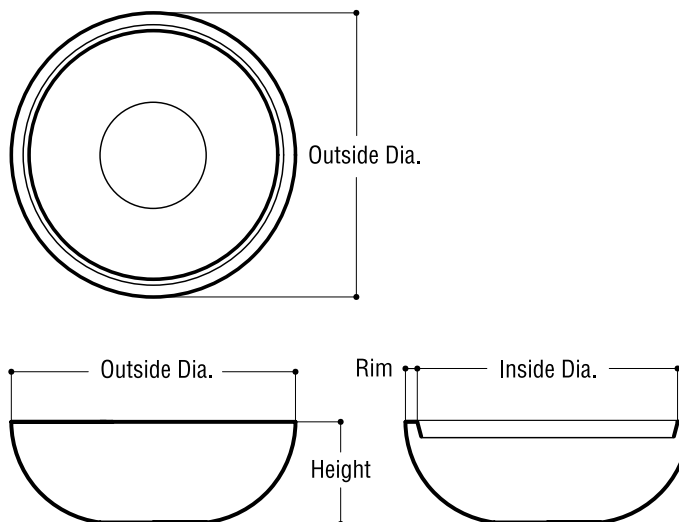


**Freestanding Planters**

**Santee**



*Illustration not to scale*

<b>Model No.</b>	<b>Outside Dia.</b>	<b>Inside Dia.</b>	<b>Height</b>	<b>Rim</b>	<b>Weight</b>
<b>ML4817</b>	<b>48"</b>	<b>44"</b>	<b>17"</b>	<b>2"</b>	<b>41</b>

**Note:**

Please contact us if you don't see the shape or size of planter you need—we welcome custom orders. For planter irrigation and custom internal modifications see page 39. A graffiti-resistant coating is available with upcharge. All orders are subject to the Terms and Conditions outlined in this Price List. Specifications are available on our web site.

**Old Town Fiberglass, Inc.**

456 South Montgomery Way  
Orange, CA 92868-4015

Tel: 714.633.3732

Fax: 714.633.3917

E-mail: [Info@OldTownFiberglass.com](mailto:Info@OldTownFiberglass.com)

On-line: [OldTownFiberglass.com](http://OldTownFiberglass.com)