

Freestanding Planters

Monterey Cylinders

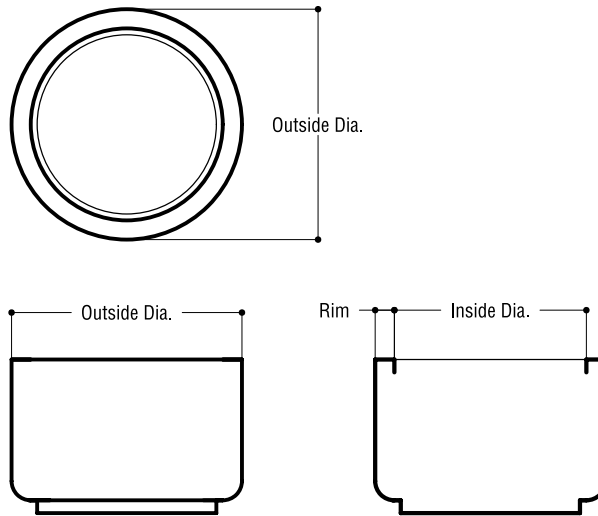


Illustration not to scale

Model No.	Outside Dia.	Inside Dia.	Height	Rim	Weight
MC1816	18"	14"	16"*	2"	14
MC2418	24"	20"	18"*	2"	21
MC3018	30"	23-1/2"	18"*	3-1/4"	29
MC3624	36"	27-1/2"	24"*	4-1/4"	45

Note:

Please contact us if you don't see the shape or size of planter you need—we welcome custom orders. Planter irrigation and custom internal modifications available. A graffiti-resistant coating is available with upcharge. All orders are subject to the Terms and Conditions outlined in this Price List. Specifications are available on our web site.

*The fabrication method used in the production of these planters enables us to easily reduce the height of the planter. A reduction in height at the time of order may not require an upcharge. Please contact us for details.

Old Town Fiberglass, Inc.

456 South Montgomery Way
Orange, CA 92868-4015

Tel: 714.633.3732

Fax: 714.633.3917

E-mail: Info@OldTownFiberglass.com

On-line: OldTownFiberglass.com