

Freestanding Planters

Santa Monica

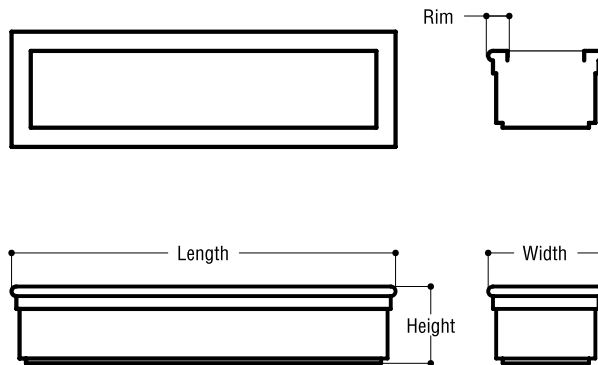


Illustration not to scale

Stand-Alone Planters

Model No.	Length	Width	Height	Rim	Weight
SM601812	60"	18"	12"	3"	41
SM1551818	155"	18"	18"	3"	120
SM1781818	178"	18"	18"	3"	137

Note:

Please contact us if you don't see the shape or size of planter you need—we welcome custom orders. Planter irrigation and custom internal modifications available. A graffiti-resistant coating is available with upcharge. All orders are subject to the Terms and Conditions outlined in this Price List. Specifications are available on our web site.

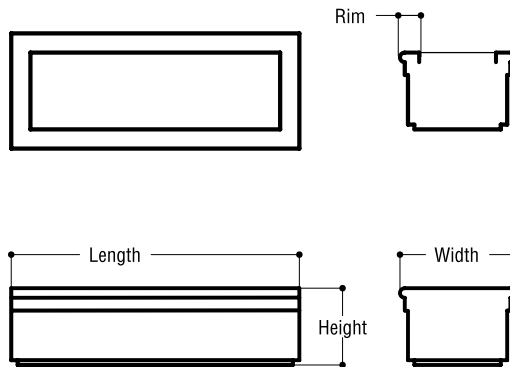


Illustration not to scale

Continuous-Run Planters (square ends)

Model No.	Length	Width	Height	Rim	Weight
SM722424	72"	24"	24"	3"	82

Old Town Fiberglass, Inc.

456 South Montgomery Way
Orange, CA 92868-4015

Tel: 714.633.3732

Fax: 714.633.3917

E-mail: Info@OldTownFiberglass.com

On-line: OldTownFiberglass.com