

Freestanding Planters

Crystal

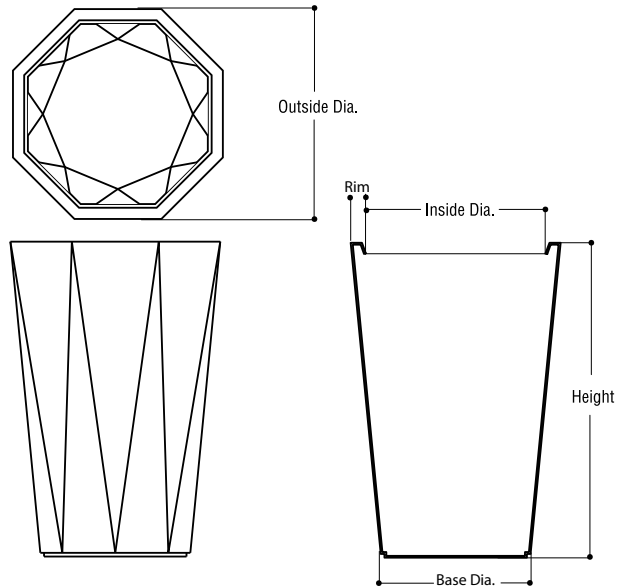


Illustration not to scale

Model No.	Length	Width	Side	Height	Rim	Weight
CT2630	26"	23"	18"	30"	1-1/2"	31
CT2842	28"	25"	18"	42"	1-1/2"	44

Note:

Please contact us if you don't see the shape or size of planter you need—we welcome custom orders. Planter irrigation and custom internal modifications available. A graffiti-resistant coating is available with upcharge. All orders are subject to the Terms and Conditions outlined in this Price List. Specifications are available on our web site.

Old Town Fiberglass, Inc.

456 South Montgomery Way
Orange, CA 92868-4015

Tel: 714.633.3732

Fax: 714.633.3917

E-mail: Info@OldTownFiberglass.com

On-line: OldTownFiberglass.com