

**Freestanding Planters**

**Panama**

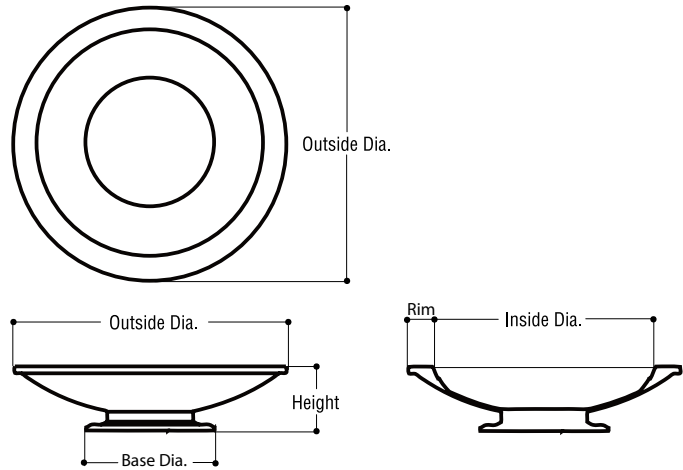


Illustration not to scale

Model No.	Outside Dia.	Inside Dia.	Height	Rim	Base Dia.	Weight
PN4812	48"	39"	12"	4"	22"	56
PN8922	89"	73"	22"	8"	42"	183

**Note:**

Please contact us if you don't see the shape or size of planter you need—we welcome custom orders. Planter irrigation and custom internal modifications available. A graffiti-resistant coating is available with upcharge. All orders are subject to the Terms and Conditions outlined in this Price List. Specifications are available on our web site.

**Old Town Fiberglass, Inc.**

456 South Montgomery Way  
Orange, CA 92868-4015

Tel: 714.633.3732

Fax: 714.633.3917

E-mail: [Info@OldTownFiberglass.com](mailto:Info@OldTownFiberglass.com)

On-line: [OldTownFiberglass.com](http://OldTownFiberglass.com)