

Freestanding Planters

Carmel

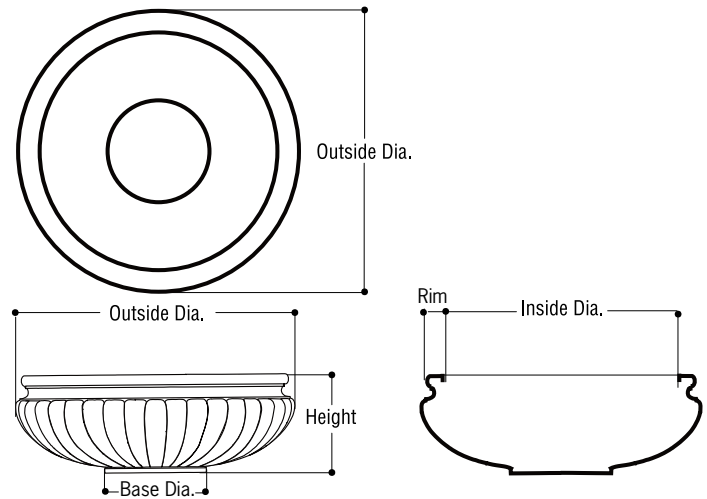


Illustration not to scale

Model No.	Outside Dia.	Inside Dia.	Height	Rim	Base Dia.	Weight
CM6024	60"	52"	24"	3-1/2"	22"	102

Note:

Please contact us if you don't see the shape or size of planter you need—we welcome custom orders. Planter irrigation and custom internal modifications available. A graffiti-resistant coating is available with upcharge. All orders are subject to the Terms and Conditions outlined in this Price List. Specifications are available on our web site.

Old Town Fiberglass, Inc.

456 South Montgomery Way
Orange, CA 92868-4015

Tel: 714.633.3732

Fax: 714.633.3917

E-mail: Info@OldTownFiberglass.com

On-line: OldTownFiberglass.com