

Freestanding Planters

Zuma

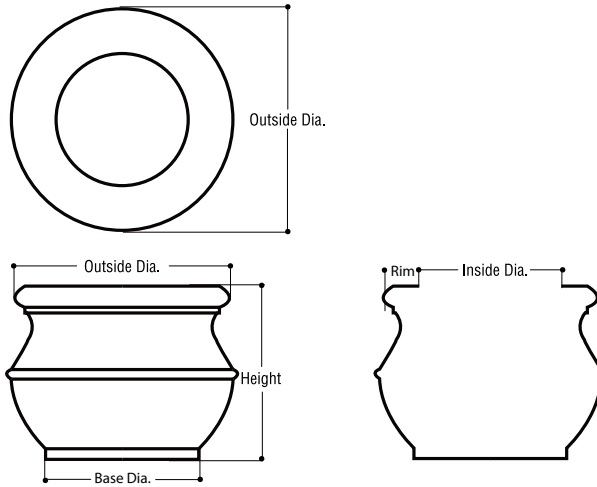


Illustration not to scale

Model No.	Outside Dia.	Inside Dia.	Height	Rim	Base Dia.	Weight
ZM3622	36"	26"	22"	5"	22"	46

Note:

Please contact us if you don't see the shape or size of planter you need—we welcome custom orders. Planter irrigation and custom internal modifications available. A graffiti-resistant coating is available with upcharge. All orders are subject to the Terms and Conditions outlined in this Price List. Specifications are available on our web site.

Old Town Fiberglass, Inc.

456 South Montgomery Way
Orange, CA 92868-4015

Tel: 714.633.3732

Fax: 714.633.3917

E-mail: Info@OldTownFiberglass.com

On-line: OldTownFiberglass.com