

Accessories

Tapered SQ Trash

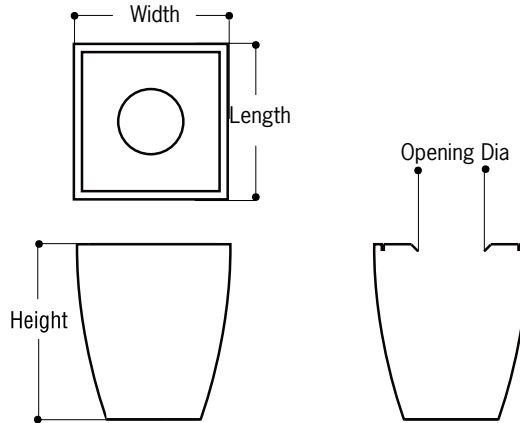


Illustration not to scale

Trash Receptacles

Model No.	Length	Width	Height	Opening Dia	Weight
STR2430	24"	24"	30"	8"	45

Available optional liner.

Planter

Model No.	Length	Width	Height	Rim	Weight
STP2430	24"	24"	30"	1"	40

Note:

Please contact us if you don't see the shape or size you need—we welcome custom orders.

A graffiti-resistant coating is available with upcharge. All orders are subject to the Terms and Conditions outlined in this Price List. Specifications are available on our web site.

Old Town Fiberglass, Inc.

456 South Montgomery Way
Orange, CA 92868-4015

Tel: 714.633.3732

Fax: 714.633.3917

E-mail: Info@OldTownFiberglass.com

On-line: OldTownFiberglass.com