

**Accessories**

**Accent**



**Designed By:**  
Jeffrey Campbell Gensler

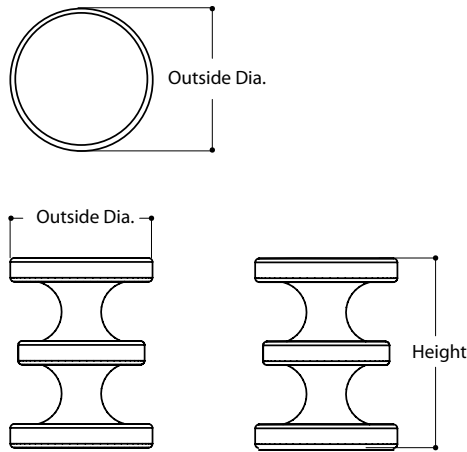


Illustration not to scale

Model No.	Diameter	Height	Weight
AC1824	18"	24"	25

**Note:**

Please contact us if you don't see the shape or size you need—we welcome custom orders.

A graffiti-resistant coating is available with upcharge. All orders are subject to the Terms and Conditions outlined in this Price List. Specifications are available on our web site.

**Old Town Fiberglass, Inc.**

456 South Montgomery Way  
Orange, CA 92868-4015

Tel: 714.633.3732

Fax: 714.633.3917

E-mail: [Info@OldTownFiberglass.com](mailto:Info@OldTownFiberglass.com)

On-line: [OldTownFiberglass.com](http://OldTownFiberglass.com)