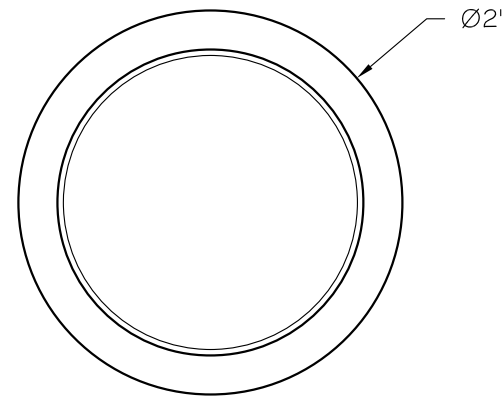
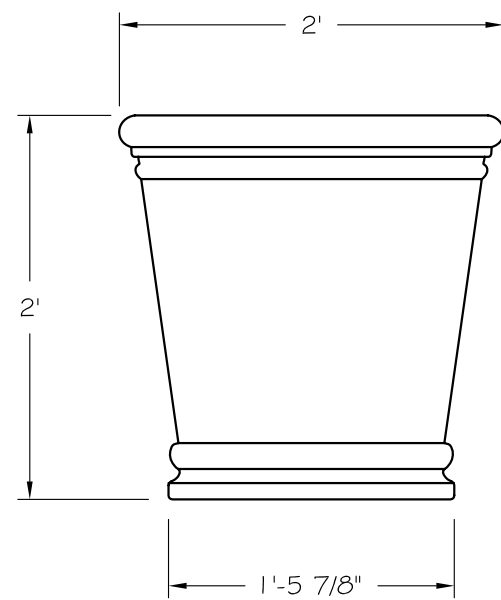


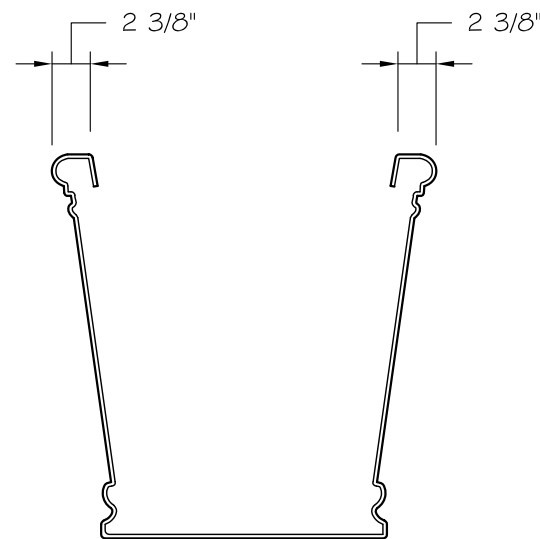
REVISIONS				
ZONE	REV	DESCRIPTION	DATE	APPROVED
	△	PART DRAWING	2012	



1 PLAN VIEW



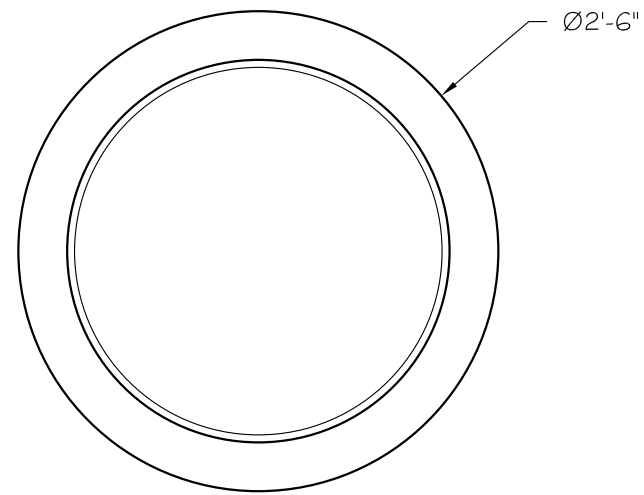
2 ELEVATION



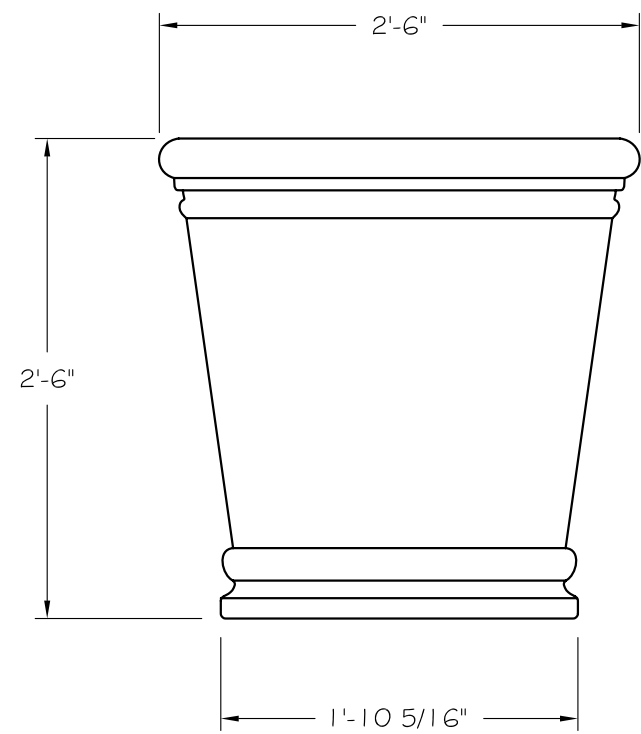
3 SECTION VIEW

- \* ALL PLANTERS AND BENCHES WILL HAVE TAPERED DRAFT.
- \* ALL EDGES TO HAVE 1/4"R MIN.
- \* MANUFACTURING TOLERANCE  $\pm \frac{1}{4}$ " (MAY VARIES BY MODEL)

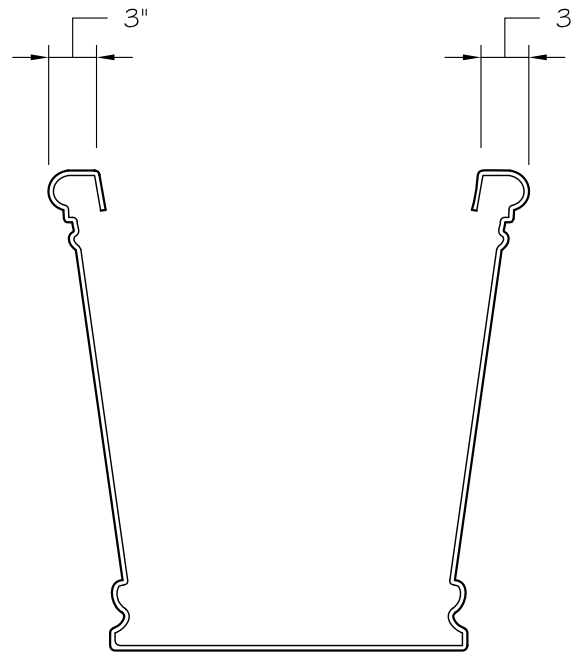
<b>Old Town fiberglass</b>	Old Town Fiberglass, Inc. 456 South Montgomery WayOrange, CA 92868-4015 PH: (714) 633-3732 FX: (714) 633-3917 www.oldtownfiberglass.com			
	<b>SF2424 (SANFORD)</b>			
CUST:	SIZE	FSCM NO.	DWG NO.	REV 0
SALE ORDER #	SCALE 1"=1'-0"		SHEET	CS-1



1 PLAN VIEW



2 ELEVATION



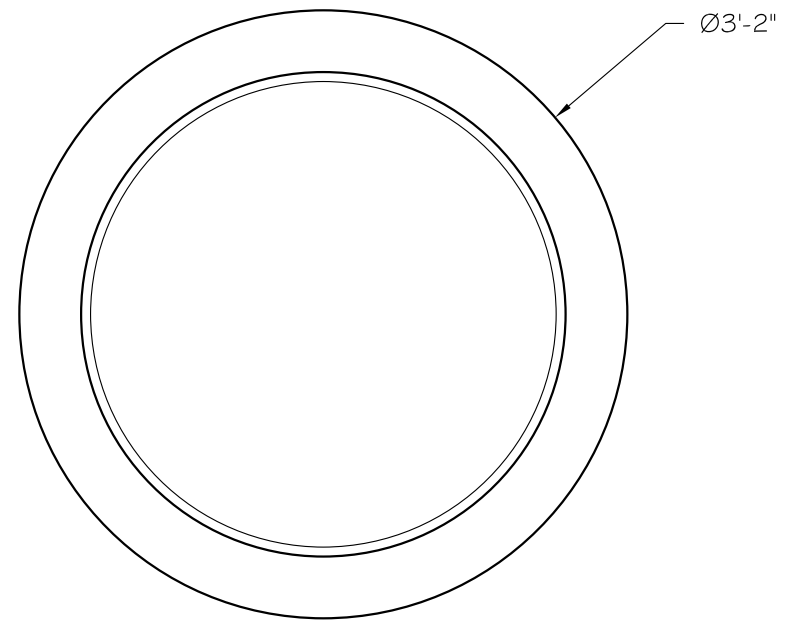
3 SECTION VIEW

REVISIONS				
ZONE	REV	DESCRIPTION	DATE	APPROVED
	△	PART DRAWING	2012	

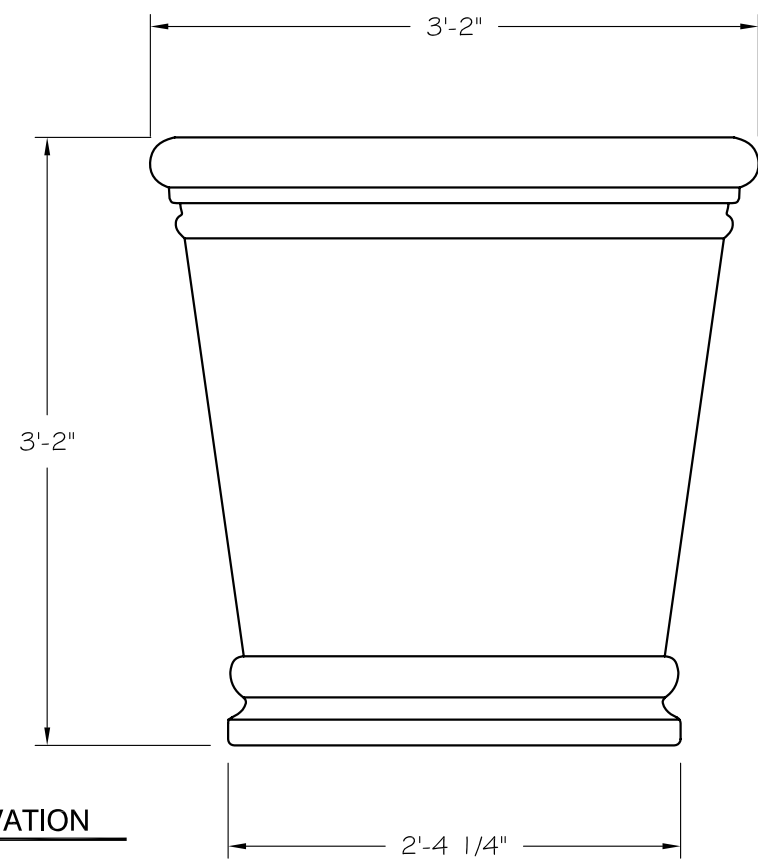
- \* ALL PLANTERS AND BENCHES WILL HAVE TAPERED DRAFT.
- \* ALL EDGES TO HAVE 1/4"R MIN.
- \* MANUFACTURING TOLERANCE  $\pm \frac{1}{4}$ " (MAY VARIES BY MODEL)

<b>Old Town fiberglass</b>	Old Town Fiberglass, Inc. 456 South Montgomery WayOrange, CA 92868-4015 PH: (714) 633-3732 FX: (714) 633-3917 www.oldtownfiberglass.com			
	<b>SF3030 (SANFORD)</b>			
CUST:	SIZE	FSCM NO.	DWG NO.	REV 0
SALE ORDER #	SCALE 1"=1'-0"		SHEET	CS-1

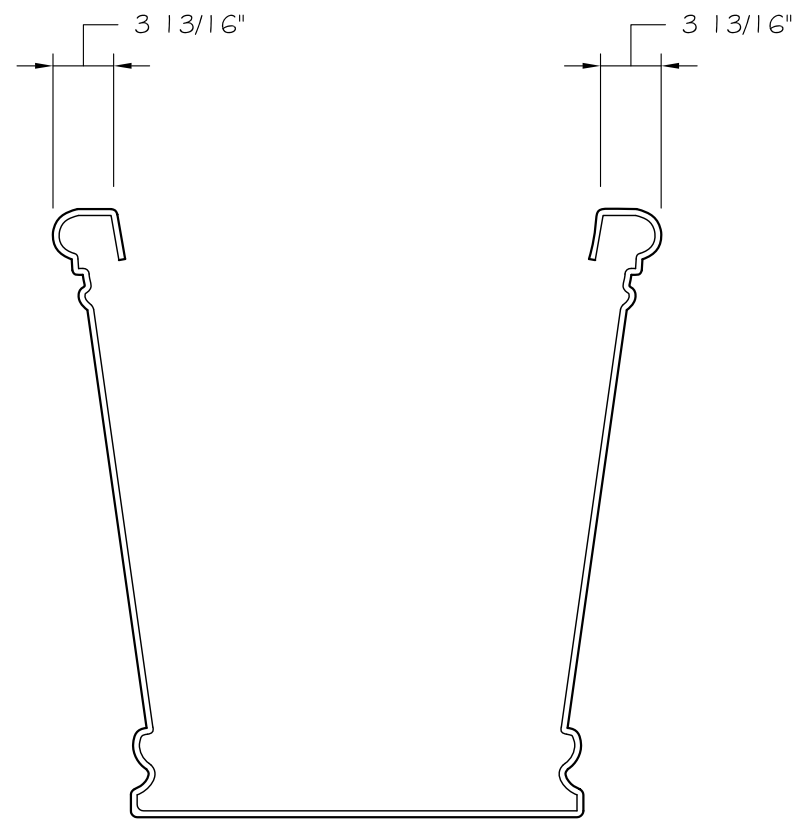
1 PLAN VIEW



2 ELEVATION



3 SECTION VIEW



REVISIONS				
ZONE	REV	DESCRIPTION	DATE	APPROVED
	△	PART DRAWING	2012	

- \* ALL PLANTERS AND BENCHES WILL HAVE TAPERED DRAFT.
- \* ALL EDGES TO HAVE 1/4"R MIN.
- \* MANUFACTURING TOLERANCE  $\pm \frac{1}{4}$ " (MAY VARIES BY MODEL)

<b>Old Town fiberglass</b>	Old Town Fiberglass, Inc. 456 South Montgomery WayOrange, CA 92868-4015 PH: (714) 633-3732 FX: (714) 633-3917 www.oldtownfiberglass.com			
	<b>SF3838 (SANFORD)</b>			
CUST:	SIZE	FSCM NO.	DWG NO.	REV 0
SALE ORDER #	SCALE 1"=1'-0"		SHEET	CS-1