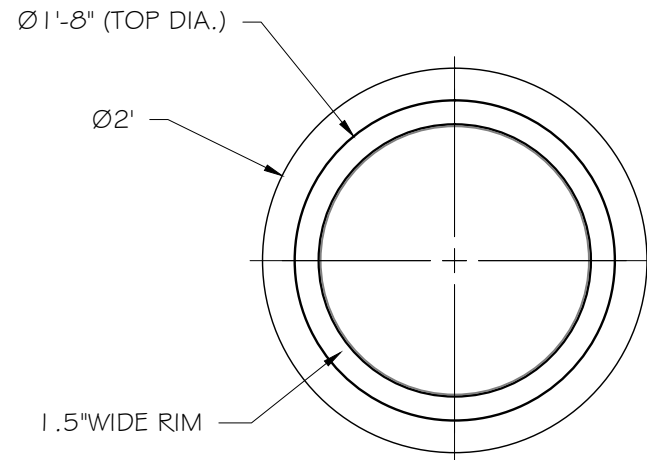
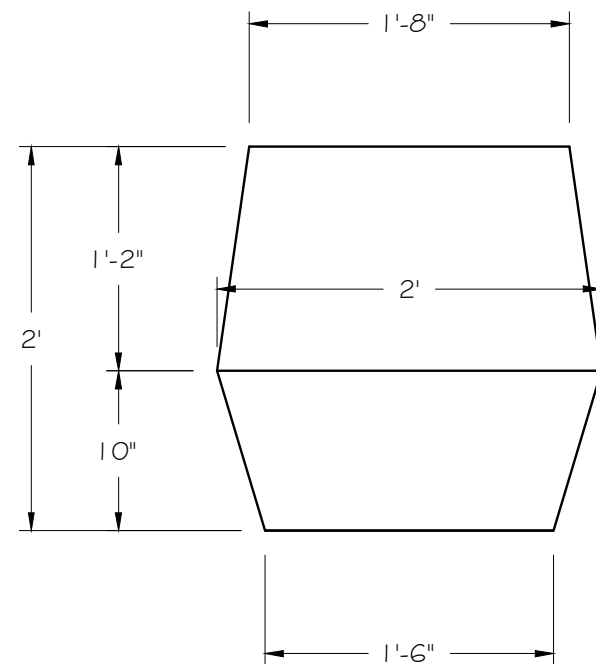


REVISIONS				
ZONE	REV	DESCRIPTION	DATE	APPROVED
	△	PART DRAWING	2011	

1 PLAN VIEW



2 ELEVATION

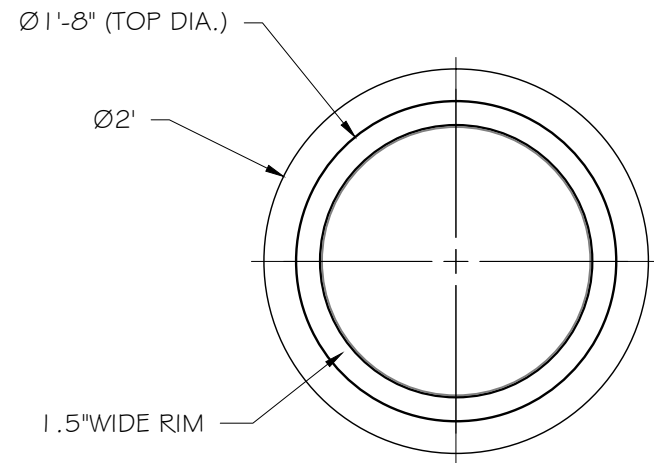


- ALL PLANTERS AND BENCHES WILL HAVE TAPERED DRAFT.
- ALL EDGES TO HAVE 1/4"R MIN.
- MANUFACTURING TOLERANCE $\pm \frac{1}{4}$ " (MAY VARIES BY MODEL)

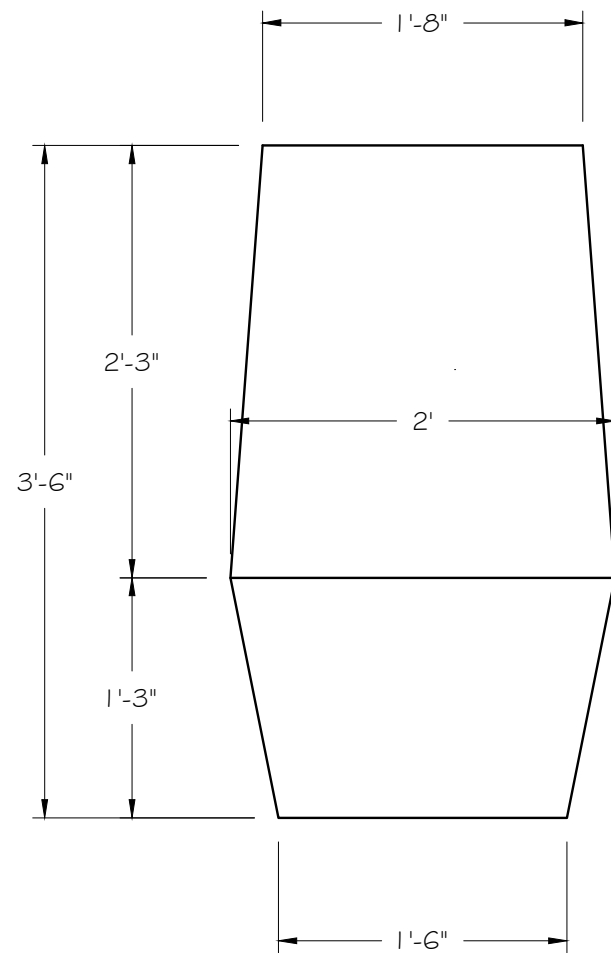
APPROVED BY: _____
 DATE: _____

Old Town <i>fiberglass</i>	Old Town Fiberglass, Inc. 456 South Montgomery Way, Orange, CA 92668-4015 PH: (714) 633-3732 FX: (714) 633-3317 www.oldtownfiberglass.com			
	KN2424 (KONA)			
	SIZE	FSCM NO.	DWG NO.	REV
				0
	SCALE 1"=1'-0"		SHEET	OT-1

REVISIONS				
ZONE	REV	DESCRIPTION	DATE	APPROVED
	△	PART DRAWING	2011	



1 PLAN VIEW



2 ELEVATION

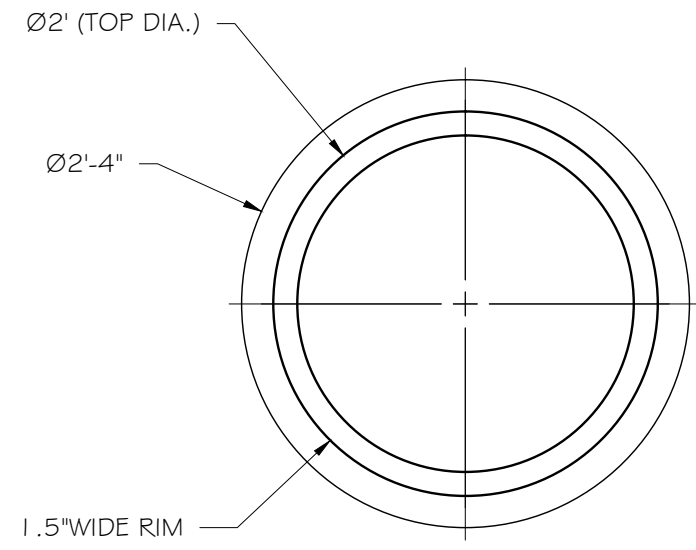
- ALL PLANTERS AND BENCHES WILL HAVE TAPERED DRAFT.
- ALL EDGES TO HAVE 1/4" R MIN.
- MANUFACTURING TOLERANCE $\pm \frac{1}{4}$ " (MAY VARY BY MODEL)

APPROVED BY: _____
 DATE: _____

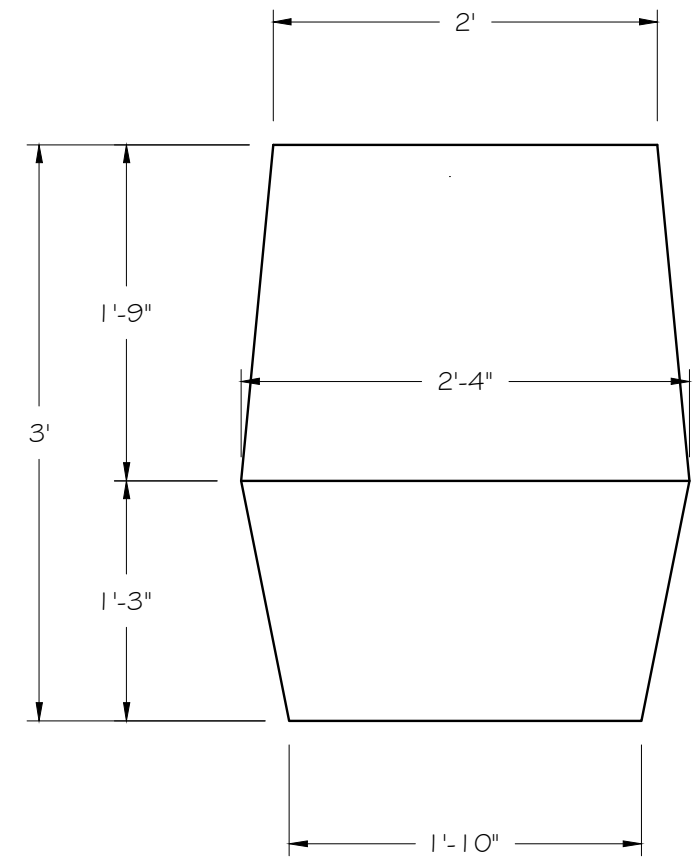
Old Town <i>fiberglass</i>	Old Town Fiberglass, Inc. 456 South Montgomery Way Orange, CA 92668-4015 PH: (714) 633-3732 FX: (714) 633-3317 www.oldtownfiberglass.com			
	KN2442 (KONA)			
	SIZE	FSCM NO.	DWG NO.	REV
				0
SCALE 1"=1'-0"			SHEET	OT-1

REVISIONS				
ZONE	REV	DESCRIPTION	DATE	APPROVED
	△	PART DRAWING	2011	

1 PLAN VIEW



2 ELEVATION



- ALL PLANTERS AND BENCHES WILL HAVE TAPERED DRAFT.
- ALL EDGES TO HAVE 1/4"R MIN.
- MANUFACTURING TOLERANCE $\pm \frac{1}{4}$ " (MAY VARIES BY MODEL)

APPROVED BY: _____

DATE: _____

	Old Town Fiberglass, Inc. 456 South Montgomery Way Orange, CA 92668-4015 PH: (714) 633-3732 FX: (714) 633-3317 www.oldtownfiberglass.com			
	KN2836 (KONA)			
SIZE	FSCM NO.	DWG NO.	REV	
			0	
SCALE 1"=1'-0"		SHEET		OT-1