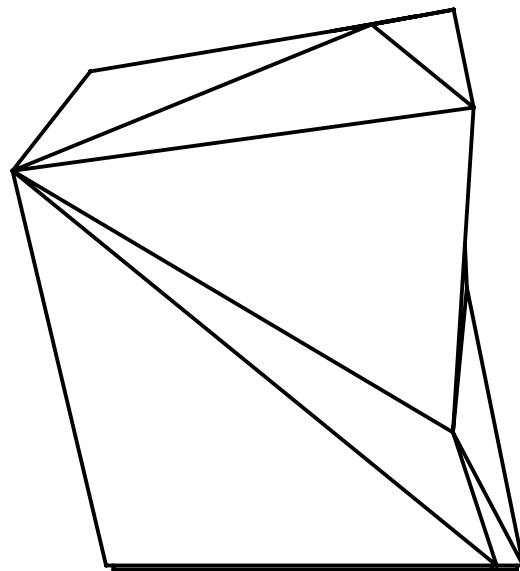
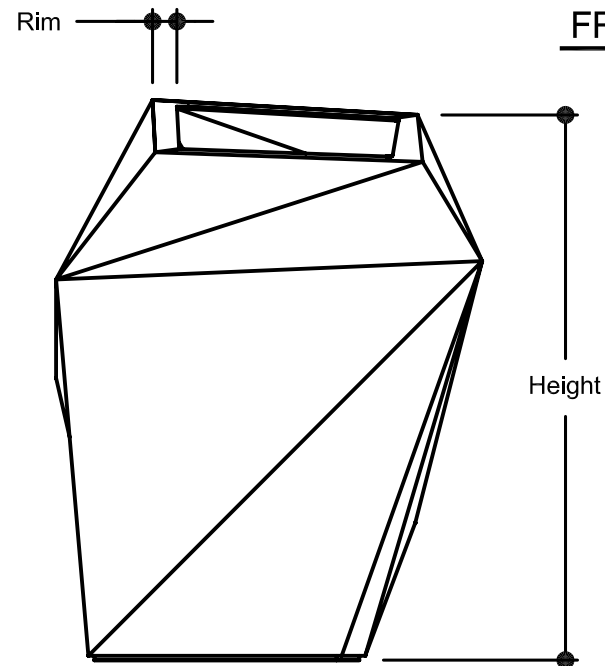


LEFT

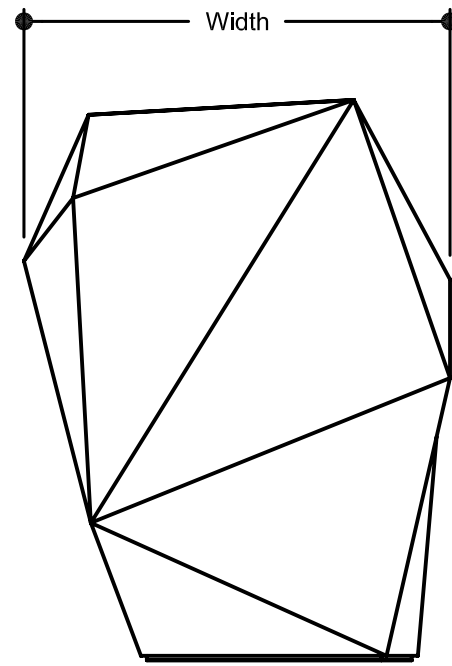


RIGHT

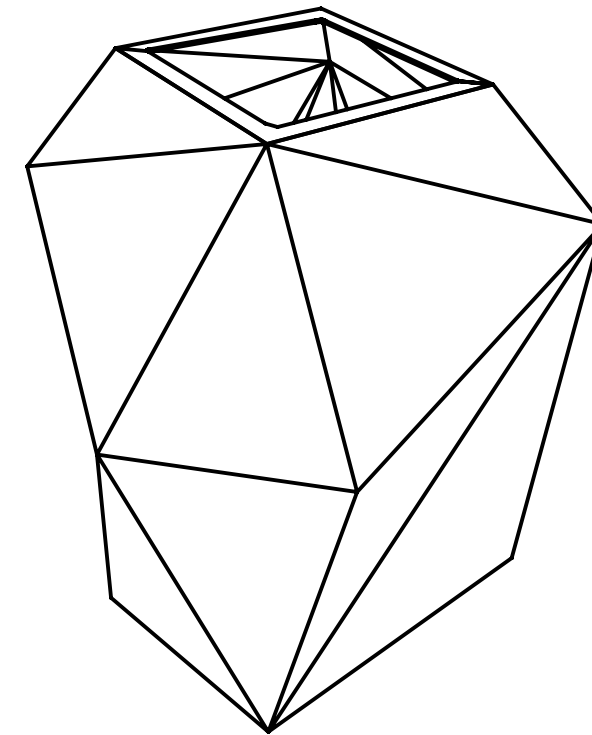


FRONT

BACK



REVISIONS				
ZONE	REV	DESCRIPTION	DATE	APPROVED
		△ PART DRAWING	2015	



PERSPECTIVE

- * ALL PLANTERS AND BENCHES WILL HAVE TAPERED DRAFT.
- * ALL EDGES TO HAVE 1/4"R MIN.
- * MANUFACTURING TOLERANCE $\pm \frac{1}{4}$ " (MAY VARIES BY MODEL)

Old Town <i>fiberglass</i>	Old Town Fiberglass, Inc. 456 South Montgomery Way Orange, CA 92868-4015 PH: (714) 633-3732 FX: (714) 633-3917 www.oldtownfiberglass.com			
	DEL RAY (DR4670)			
CUST:	SIZE	FSCM NO.	DWG NO.	REV 0
SALE ORDER #	SCALE 1/2"=1'-0"		SHEET	OT-2