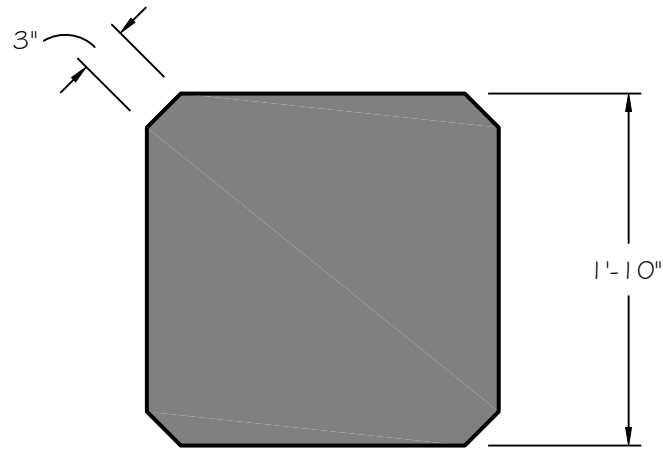
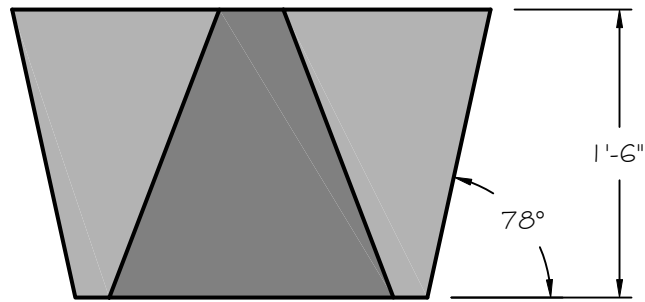


A PLAN



C BOTTOM



B ELEVATION

REVISIONS				
ZONE	REV	DESCRIPTION	DATE	APPROVED
	△	PRISM STOOL (PR2418)	10-2008	

Old Town <i>fiberglass</i>	Old Town Fiberglass, Inc. 456 South Montgomery Way Orange, CA 92868-4015 PH: (714) 633-3732 FX: (714) 633-3917 www.oldtownfiberglass.com			
	PRISM STOOL (PR2418)			
	SIZE	FSCM NO.	DWG NO.	REV 0
	SCALE 1"=1'-0"		SHEET	A-1